



## ENGINE

Model	FPT F4HFE613F*A002
Emissions Certification	Tier 4 Final Certified
Cylinders	6
Displacement	409 in <sup>3</sup> (6.7 L)
Fuel injection	Common rail
Fuel	#2 Diesel
Fuel filter	Spin-on w/ in-line strainer
Air intake	Cross-flow
Cooling	Liquid
Engine speeds	RPM
High idle - no load	2200 +/- 50
Rated - full load	2200
Low idle	1100 +/- 25
Horsepower @ 2000 RPM – SAE J1349:	
Net	127.4 hp (95 kW)
Gross	138 hp (103 kW)
Engine lubrication:	
Pump	Deep sump plate cooler w/ pressurized under-piston nozzles
Pump operating angle ratings:	
Side-to-side	35°
Fore and aft	45°
Oil filtration	Replaceable, spin-on full-flow cartridge
Radiator:	
Fins per inch	10.16
Fan:	
Diameter	26.0 in (660 mm)
Ratio	0.96:1

## DRIVETRAIN

Dual path hydrostatic:	
Pump	Variable axial piston
Motor	Variable bent axis piston
Max. drawbar pull*	48,000 lb (213.5 kN)
Transmission	Single lever control – electronic straight tracking
Transmission oil filter	4 micron, spin-on replaceable w/ 100 mesh suction screen
Travel speeds*:	
Forward	5.8 mph (9.3 kph)
Reverse	5.8 mph (9.3 kph)
Parking brakes	Heavy-duty, spring-applied, hydraulic pressure release
Steering brakes	Hydrostatic
Final drive	2 helical gear reduction to planetary output
Ratio	61.4:1
Transmission cooling:	
Type	Oil to air
Core size	498 in <sup>2</sup> (0.32 m <sup>2</sup> )

NOTE: \*Measured using standard track chain. Increase travel speeds by 4% and reduce drawbar pull by 4% with the optional Max Life track chain.

## ELECTRICAL

Alternator	120 amp
Battery	(2) 12-volt, low-maintenance 925 cold-cranking amps @ -4° F (-20° C)
Electrical System	24 Volts

## OPERATOR ENVIRONMENT

ROPS cab; Single lever control for speed, steering and direction; Cloth air suspension seat w/ back adjustment; Retractable 3 in (76 mm) seat belt; Adjustable armrest; Two foot rest; Rearview mirror; Two door windshield wipers; Dome light; 12-volt accessory outlet; Headliner; Floor mat; Rear Wiper; Radio; Heat/AC.

Warning lights:  
Air filter; Alternator; Diagnostic fault indicator; Engine coolant temperature; Engine oil pressure; Hydraulic filter; Low fuel level; DEF fluid level; Park brake engaged; Service soon indicator; Transmission filter; Transmission charge pressure.

Gauges:  
Battery voltage; Fuel level; Digital hour meter/tachometer/diagnostic/service reminder; Transmission oil temperature; Transmission speed indicator; Water temperature; Diesel Exhaust Fluid (DEF) level.

Audible warnings:  
Engine coolant temperature; Engine oil pressure; Low fuel level; Transmission charge pressure; Temperature/hydraulic temperature.

## OPERATING WEIGHT

Unit equipped w/ ROPS, full fuel tank, 170 lb (77 kg) operator, side shield, track guides, backup alarm, horn, lights and rear retrieval hitch.

Long track	31,134 lb (14 122 kg)
Wide track	32,174 lb (14 594 kg)
LGP	32,637 lb (14 804 kg)

## Add-on weights:

Drawbar	146 lb (66 kg)
Ripper 3 Shank	2,377 lb (1 078 kg)
Winch	2,448 lb (1 110 kg)
Front Counterweight	948 lb (430 kg)
Cab	560 lb (254 kg)
MAX LIFE chain:	
20 in (508 mm)	148 lb (67 kg)
22 in (559 mm)	158 lb (71 kg)
26 in (660 mm)	153 lb (69 kg)
30 in (762 mm)	150 lb (68 kg)
Center rock guard	295 lb (134 kg)
Sweeps	139 lb (63 kg)

## HYDRAULICS

Pump flow @ 2200 RPM @ 2,830 psi (19 512 kPa)	34.9 gpm (132 L/min)
Lift cylinder	Two (2)
Bore diameter	4.25 in (108.0 mm)
Rod diameter	2.00 in (50.8 mm)
Stroke	19.21 in (488.0 mm)
Angle cylinder	Two (2)
Bore diameter	4.50 in (114.3 mm)
Rod diameter	2.50 in (63.5 mm)
Stroke	18.33 in (465.7 mm)
Tilt cylinder	One (1)
Bore diameter	5.00 in (127.0 mm)
Rod diameter	2.50 in (63.5 mm)
Stroke	5.84 in (148.3 mm)

## SERVICE CAPACITIES

Fuel tank	85.0 gal (322.0 L)
Engine oil w/ filter	17.3 qt (16.4 L)
Engine oil w/o filter	16.5 qt (15.6 L)
Engine cooling system	7.4 gal (28 L)
Hydraulic reservoir	51.0 gal (193 L)
Final drive – per side	16.5 qt (15.9 L)
Track rollers – each	0.26 qt (0.25 L)
Front idlers – each	0.35 qt (0.33 L)
Carrier rollers – each	0.26 qt (0.25 L)
DEF tank	14.0 gal (52.0 L)

## OTHER SPECIFICATIONS

Undercarriage:	
Track adjustment	Hydraulic
Frame	Pivot shaft and oscillating equalizer beam suspension
Length of track on the ground:	
SALT HD	102.4 in (2 600 mm)
MAX LIFE	101.0 in (2 566 mm)
Track link pitch	6.9 in (175 mm)
Track shoe height	2.17 in (55 mm)
Pin diameter	1.44 in (36.58 mm)
Bushing diameter:	
SALT HD	2.45 in (62.6 mm)
MAX LIFE	3.11 in (79 mm)
Track shoes per side	43
Track rollers per side	7
Carrier rollers per side	2
Track roller rail diameter	7.99 in (203 mm)

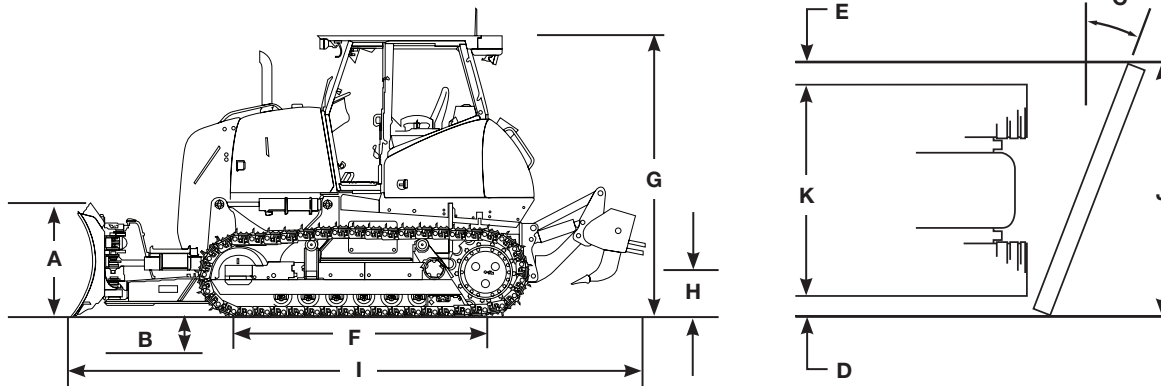
Track on ground:	
Shoe area:	
22 in (559 mm)	4,506 in <sup>2</sup> (29 070 cm <sup>2</sup> )
26 in (660 mm)	5,320 in <sup>2</sup> (34 323 cm <sup>2</sup> )
30 in (762 mm)	6,142 in <sup>2</sup> (39 627 cm <sup>2</sup> )

Track:	
Long track:	
22 in (559 mm) closed grousers and SALT HD	
22 in (559 mm) open grousers and MAX LIFE	
Wide track:	
22 in (559 mm) closed grousers and SALT HD	
22 in (559 mm) open grousers and MAX LIFE	
26 in (660 mm) closed grousers and SALT HD	
26 in (660 mm) open grousers and MAX LIFE	
30 in (762 mm) closed grousers and SALT HD	
30 in (762 mm) open grousers and MAX LIFE	

Low ground pressure:	
30 in (762 mm) closed grousers and SALT HD	
30 in (762 mm) open grousers and MAX LIFE	

Blade:	
Variable blade pitch	55° – 60°
Lift speed – per second	17 in (503 mm)
Cutting edge	Reversible, replaceable
Width	8.0 in (203.2 mm)
Thickness	0.8 in (19.1 mm)

Ripper:	
Max. penetration	20 in (499 mm)
Width	67.4 in (1 711 mm)
Cut width	64.4 in (1 635 mm)
Max. ground clearance	13 in (330 mm)
Max. number of shanks	3
Tooth spacing:	
w/ 3 teeth	30.9 in (785 mm)
Hydraulic cylinder	
Diameter	4.0 in (102 mm)
Stroke	10.0 in (254 mm)
Rod	2.0 in (51 mm)



Line drawings are for illustrative purpose only and may not be exact representation of unit.

## DIMENSIONS

	Long Track (LT)	Wide Track (WT)	Low Ground Pressure (LGP)
Blade width	120 in (3 048 mm)	132 in (3 353 mm)	132 in (3 353 mm)
SAE blade capacity	3.77 yd <sup>3</sup> (2.88 m <sup>3</sup> )	4.16 yd <sup>3</sup> (3.18 m <sup>3</sup> )	4.16 yd <sup>3</sup> (3.18 m <sup>3</sup> )
Blade height	44.1 in (1 119 mm)	44.1 in (1 119 mm)	44.1 in (1 119 mm)
A. Blade lift above ground	36.4 in (926 mm)	36.4 in (926 mm)	36.4 in (926 mm)
B. Blade depth below ground	20.4 in (518 mm)	20.4 in (518 mm)	20.4 in (518 mm)
C. Blade angle both directions	25°	25°	25°
D. Cast reach	16 in (406 mm)	14.5 in (368 mm)	12.5 in (317 mm)
E. Cut reach	0.8 in (20 mm)	-0.8 mm (-20 mm)	-2.8 in (-71 mm)
Blade tilt, each end – up to 8.3°	16.9 in (430 mm)	17.7 in (450 mm)	17.7 in (450 mm)
Track gauge	72 in (1.83 m)	80 in (2.03 m)	80 in (2.03 m)
Maximum shoe width	20 in (508 mm)	26 in (660 mm)	30 in (762 mm)
F. Length of track on ground	101 in (2 566 mm)	102.4 in (2 600 mm)	102.4 in (2 600 mm)
Area of track on ground	4,095 in <sup>2</sup> (2.64 m <sup>2</sup> )	5,320 in <sup>2</sup> (3.43 m <sup>2</sup> )	6,142 in <sup>2</sup> (3.96 m <sup>2</sup> )
Ground pressure	7.60 psi (0.53 bar)	6.05 psi (0.42 bar)	5.31 psi (0.37 bar)
G. Height to top of ROPS	9 ft 8 in (2 956 mm)	9 ft 8 in (2 956 mm)	9 ft 8 in (2 956 mm)
Height to top of cab	9 ft 8 in (2 956 mm)	9 ft 8 in (2 956 mm)	9 ft 8 in (2 956 mm)
H. Ground clearance	12.7 in (322 mm)	12.7 in (322 mm)	12.7 in (322 mm)
Length:			
Blade straight with drawbar	16 ft 8 in (5 088 mm)	16 ft 8 in (5 088 mm)	16 ft 8 in (5 088 mm)
I. Blade straight with ripper	20 ft 4 in (6 191 mm)	20 ft 4 in (6 191 mm)	20 ft 4 in (6 191 mm)
Width:			
Blade straight	10 ft 0 in (3 048 mm)	11 ft 0 in (3 353 mm)	11 ft 0 in (3 353 mm)
J. Blade angled	9 ft 1 in (2 773 mm)	9 ft 11 in (3 041 mm)	9 ft 11 in (3 041 mm)
K. Over track	7 ft 9 in (2 388 mm)	8 ft 9 in (2 692 mm)	9 ft 2 in (2 794 mm)

NOTE: Ground clearance and overall height dimensions are with the grousers fully penetrated. Add 2.07 in (55.5 mm) if unit is on solid surface.

## STANDARD EQUIPMENT

### OPERATOR ENVIRONMENT

See page 1

### ENGINE

F4HFE613F\*A002  
Tier 4 Final Certified  
SCR  
Automatic fan belt tensioner  
Integral engine oil cooling  
Fuel filter  
Dual element radial seal air cleaner  
120 amp alternator  
(2) 950 CCA 12-volt batteries  
Anti-sandblast radiator  
Coolant Heated DEF Lines  
Pusher Fan  
Hinged engine side panels

### DRIVETRAIN

Dual path infinitely variable, single-lever controlled hydrostatic drive, with electronic straight tracking and counter-rotation  
Final drive:  
Triple reduction; helical gear/planetary decelerator with hydrostatic drive retardation  
Spring-applied hydraulic release parking brake

## OPTIONAL EQUIPMENT

### OPERATOR ENVIRONMENT

Cab air quality system

### HYDRAULICS

4-spool hydraulic valve for field-installed ripper

### REAR MOUNTED EQUIPMENT

Ripper – 5 position with 3 shanks  
Hydraulic pump with PTO  
Drawbar  
Drawbar with step

### BLADE

55° – 60° variable pitch, with integral adjustment tool  
Single lever control for blade lift, angle and tilt

### UNDERCARRIAGE

Hydraulic track adjusters  
Sealed and Lubricated Track Chain (SALT)  
Permanently lubricated track and carrier rollers  
Track adjuster guard  
Track guides – front and rear  
Robust smooth one piece track frames with easy clean-out  
Robust rock guards  
Enhanced track recoil system  
Central grease point for pivot shaft and equalizer beam  
Low noise system configuration  
Low vibration system configuration

### OTHER

Backup alarm  
Horn  
Work lights:  
2 front  
1 rear  
Master disconnect switch  
Mirror  
Turbine Pre-cleaner  
Front pull hook  
Rear tow hook  
Environmental Drain  
Grid Heater/Cold Start  
Transport Protection  
Anti-vandalism package  
Rear transmission guard

### TELEMATICS

CASE SiteWatch™ Telematics – includes hardware and a 3-yr Advanced data subscription

### PROCARE

CASE ProCare – Full Machine Protection Factory Warranty (3-yr/3000-hr), Planned Maintenance (3-yr/2000-hr) and SiteWatch telematics

### BLADES

120 in (3 050 mm)  
132 in (3 355 mm)

### GUARDS

Sweeps  
Center rock guard

### SCREENS

ROPS rear screen  
Cab rear screen  
ROPS side screen  
Radiator brush screen  
Sandblast Screen

### OTHER

CASE Extended Life Track  
Additional work lights  
Front counterweight with pull hook  
Severe Cold Weather Package

### PRECISION

Factory Fit CoPilot  
Factory Fit 2D Laser  
Factory Fit 3D GNSS  
Universal Blade Guidance:  
Compatible with Leica, Trimble and Topcon  
Leica Blade Guidance Ready  
Trimble Blade Guidance Ready  
Topcon Blade Guidance Ready

## CaseCE.com

©2021 CNH Industrial America LLC. All rights reserved. CASE is a trademark registered in the United States and many other countries, owned by or licensed to CNH Industrial N.V., its subsidiaries or affiliates. CNH Industrial Capital is a trademark in the United States and many other countries, owned by or licensed to CNH Industrial N.V., its subsidiaries or affiliates. Printed in U.S.A. Contains 10% post-consumer fiber.

IMPORTANT: CASE Construction Equipment Inc. reserves the right to change these specifications without notice and without incurring any obligation relating to such change. Availability of some models and equipment builds vary according to the country in which the equipment is used. The illustrations and text may include optional equipment and accessories and may not include all standard equipment. Your CASE dealer/distributor will be able to give you details of the products and their specifications available in your area.



CASE Construction Equipment is biodiesel-friendly. NOTE: All engines meet current EPA emissions regulations. All specifications are stated in accordance with SAE Standards or Recommended Practices, where applicable.



Always read the Operator's Manual before operating any equipment. Inspect equipment before using it, and be sure it is operating properly. Follow the product safety signs and use any safety features provided.

Form No. CCE2021021150M  
Replaces Form No. CCE2019121150M

1150M

3 of 3