

DYNAPAC

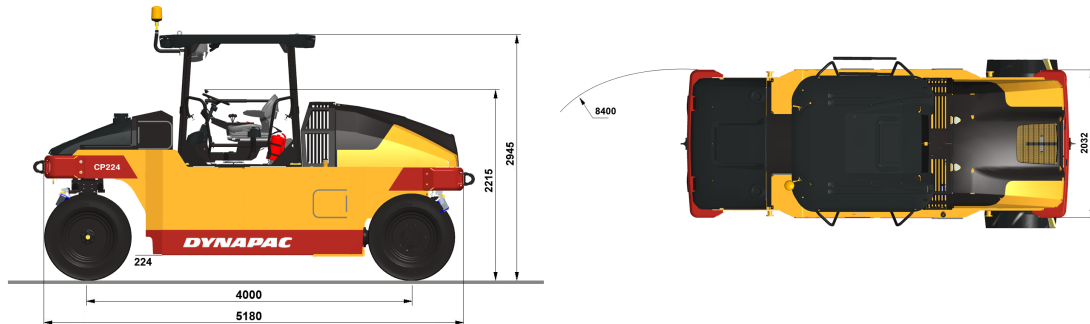
Part of the Atlas Copco Group

CP224W

Pneumatic rollers



Technical data



Masses	CP224W
Operating mass (incl. ROPS)	9,450 kg
Mass with wet sand ballast	14,150 kg
Mass with max. ballast	21,000 kg
Compaction	
Rolling width	2,265 mm
Tyre overlap	42 mm
Wheel loads, without ballast	1,350 kg
Wheel loads, with wet sand ballast	2,020 kg
Wheel loads, with max. ballast	3,000 kg
Tyre pressure, min	250 kPa
Tyre pressure, max	850 kPa
Tyre type (smooth)	14/70 R20
Water spray system, type	Pressurized
Water spray system, tank capacity	415 l
Water spray system, spray nozzle	one per tyre
Ballast volume	2.20 m ³
Traction	
Speed low	9 km/ h
Speed high	23 km/ h
Speed high (EEC countries)	20 km/ h
Engine	
Manufacturer	Cummins
Model	QSB 3.3 T3
Type	Water cooled turbo Diesel with After Cooler
Fuel tank capacity	210 l
Rated power	99 hp
Rated power	74 kW
Rated power @	2,200 rpm
Rated power (rating standard)	SAE J1995
Electrical system	24V
Hydraulic system	
Driving	Axial piston pump with variable displacement. Axial piston motors (2) with variable displacement.
Steering	Axial piston pump with variable displacement.
Service brake	2 multidisc brakes on rear wheels activated by pedal.
Parking/ Emergency brake	Failsafe multidisc brakes in both gear boxes.

Find your local dealer at www.dynapac.com

We reserve the right to change specifications without notice. Photos and illustrations do not always show standard versions of machines. The above information is a general description only, all informations are supplied without liability.