



Small to Medium Site Prep Jobs

Large Trench Compaction

Utility and Repair Work

High Centrifugal Force Outputs

Superior Traction

Variety of Drum Configurations

Advanced Shock Isolation

The SAKAI SV201-1

The SAKAI SV201-1 Series Vibratory Single Drum Compactors are designed for a variety of small to medium projects such as large trenches, site preparation and utility work. The SV201-1 Series offer a number of standard features found on SAKAI's larger single drum rollers such as a high compaction force, superior traction, unique hitch design, patented shock isolation system, superior serviceability, ROPS and seatbelts as well as a two brake, three-way failsafe braking system and a comfortable operating station. SAKAI offers four different SV201-1 models to meet a variety of soil types and application requirements.

SV201D-1 Smooth drum roller with drum and axle drives is well suited for use on sand, gravel and semi-cohesive soils.

SV201T-1 Padfoot drum roller with drum and axle drives for use on clays, silts and cohesive soils.

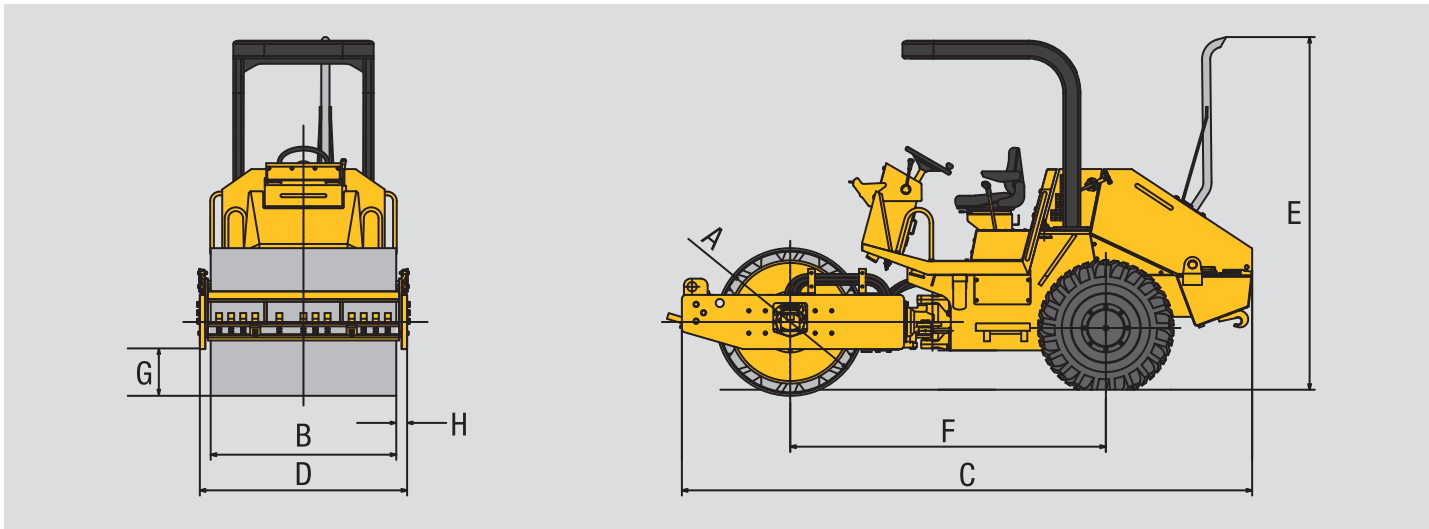
SV201TB-1 Padfoot drum roller with added strike-off blade is perfect for backfilling and leveling applications.

SV201TF-1 Offers a bolt-on smooth drum shell that mounts over the padfoot drum for quick drum switches to meet a variety of soil requirements.

Model		SV201D-1	SV201T-1	SV201TB-1	SV201TF-1
Drum		Smooth	Padfoot	Padfoot W/ Strike-Off Blade	Smooth/Padfoot Combination
Operating Weight	lbs	9,590	9,810	10,472	11,464
	kg	4,350	4,450	4,750	5,200
On Front Axle	lbs	4,740	4,960	5,732	6,614
	kg	2,150	2,250	2,600	3,000
On Rear Axle	lbs	4,850	4,850	4,740	4,850
	kg	2,200	2,200	2,150	2,200
Vibration Frequency	VPM / Hz	1,800 / 30			
Centrifugal Force	lbs / kN	16,100 / 72			
Amplitude	in	0.065	0.06	0.06	0.039
	mm	1.65	1.52	1.52	1
Engine Make & Model Tier		KUBOTA V3307 - TIER 3			
Horsepower	hp / kW	72.4 / 54.6			
Maximum Speed	mph / kmh	4.6 / 7.4			
Gradability	percent	59	55	50	44
Fuel Tank Capacity		26 / 100			
	gallons / liters				
Braking Types		Dynamic Hydrostatic, Wet Disc SAHR, Footbrake			
Outside Turning Radius	in / mm	157 / 4000			
Drum Diameter A	in / mm	39 / 1000	41.9 / 1,050	41.9 / 1,050	43 / 1,090
Drum Width B	in / mm	54 / 1,370			
Overall Length C	in / mm	166 / 4,210	166 / 4,210	188 / 4,770	166 / 4,210
Overall Width D	in / mm	60 / 1,530	60 / 1,530	62 / 1,580	60 / 1,530
Overall Height w/ROPS E	in / mm	102 / 2,600	102 / 2,600	102 / 2,600	102 / 2,600
Wheelbase F	in / mm	92 / 2,330	92 / 2,330	92 / 2,330	92 / 2,330
Curb Clearance G	in / mm	11.8 / 300	12.4 / 315	12.4 / 315	13 / 330
Side Overhang H	in / mm	3.1 / 80	3.1 / 80	4.1 / 105	3.1 / 80



SV201TF-1
See Below



Your authorized Sakai dealer:



Sakai America Inc.
90 International Parkway, Adairsville, GA 30103
Tel 770-877-9433 or toll free 800-323-0535
Fax 770-877-9886 • www.sakaiamerica.com

SV201-1BROC1109

