

5085

All Wheel Steer Loaders



**WACKER
NEUSON**
all it takes!



The grounded all-rounder

Simple operation and functionality characterise the all-wheel operated 5085. The efficient machines impress with their dynamic all-wheel drive, high payload and their comparably low operating weight. The compact dimensions provide maximum manoeuvrability, even in tight spaces. The 5085 is equipped with a 55 kW Kohler engine and fulfils the requirements of the exhaust emission standards class IIIB.

- Drive comfort: The fully automatic load stabiliser dampens oscillations of the loader unit and/or the load, thus enabling a high level of operator comfort at higher speeds
- Time-saving: The 5085 can optionally be equipped with a maximum speed of 30 km/h
- High level of manoeuvrability: The all-wheel steering is particularly manoeuvrable in small spaces due to its 2 x 40° steering angle
- Long load unit: The optionally available extended mast makes the machine more flexible in terms of reach and stacking height
- Cost-saving: Due to the absolute maintenance free DOC

system, with the Kohler engines, the service and maintenance costs can be kept low.

5085 Technical specifications

Engine / Motor

Engine / Motor manufacturer	Kohler
Engine performance	55.4 kW
Emission standards stage	IIIB

Weights

Operating weight	4,650 kg
Payload (S = 1.25)	2,150 kg
Payload (S = 1.25, extended loading unit)	1,850 kg
Tipping load (with standard bucket)	3,600 kg
Tipping load (with standard bucket and extended loading unit)	3,000 kg

Vehicle data

Bucket capacity (standard bucket)	0.85 m ³
Traction drive	Continuously variable, hydrostatic axial piston transmission
Travel speed	20 km/h
Speed (optional)	30 km/h
Standard tires	12.5–20
Differential lock	100% front axle
Steering angle	2x40 °
Type of kinematics	P-kinematics
Tilt-in angle	50 °
Dump angle	45 °

Hydraulic system

Operating hydraulics - operating pressure max.	240 bar
Operating hydraulics - discharge capacity max.	70 l/min

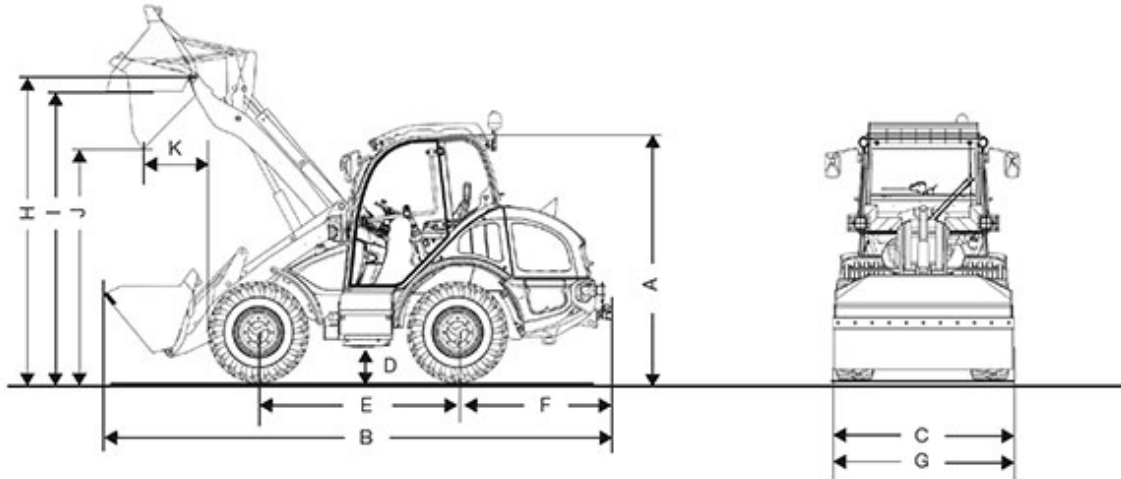
Filling capacities

Fuel tank capacity	75 l
Hydraulic oil tank	50 l

Sound level

Sound level (LwA)	100 dB(A)
Guaranteed sound power level LwA	101 dB(A)

5085 Dimensions



Dimensions

A	Height	2,450 mm
B	Overall length	5,280 mm
C	Overall width	1,720 mm
D	Ground clearance	300 mm
E	Wheelbase	2,020 mm
	Center of front axle to tip of teeth	1,770 mm
F	Center of rear axle to end of vehicle	1,490 mm
G	Bucket width	1,850 mm
H	Hinge pin height	3,260 mm
I	Overhead loading height	3,110 mm
J	Dump height max.	2,530 mm
K	Dump reach	635 mm
-	Stack height	3,010 mm
-	Radius (turning) above tires	2,840 mm

Please note: that product availability can vary from country to country. It is possible that information / products may not be available in your country. More detailed information on engine power can be found in the operator's manual; the stated power may vary due to specific operating conditions. Subject to alterations and errors excepted. Applicable also to illustrations.
Copyright © 2019 Wacker Neuson SE.