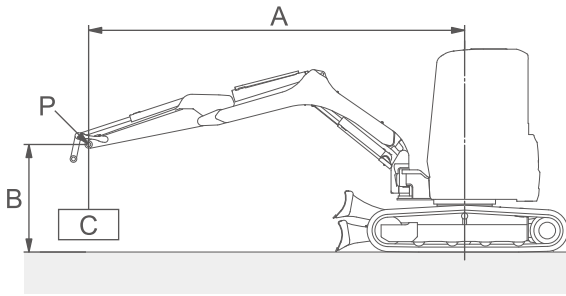


Lifting Capacity



With:

Canopy Type

Rubber Crawler

Without: Quick coupler and Bucket

A: Reach from swing center line [m<in.>]

B: Load point height [m<in.>]

C: Lifting load [kg<lbs.>]

P: Load point

: Rating over front

: Rating over side or 180 degrees

Blade on ground

Unit : kg <lbs.>

A [m<in.>]	Max.		2.5 <98.4>		2.0 <78.7>		Min.	
B [m<in.>]								
2.0 <78.7>	270 <595>	510 <*1124>	-	-	-	-	-	-
1.5 <59.1>	240 <529>	510 <*1124>	390 <859>	620 <*1366>	-	-	-	-
1.0 <39.4>	230 <507>	530 <*1168>	380 <837>	730 <*1609>	520 <*1146>	1000 <*2204>	550 <1212>	1060 <*2336>
0.5 <19.7>	230 <507>	530 <*1168>	370 <815>	810 <*1785>	490 <*1080>	1100 <*2425>	520 <1146>	1200 <*2645>
0 <0.0>	240 <529>	540 <*1190>	360 <793>	820 <*1807>	480 <*1058>	1090 <*2403>	670 <1477>	-
-0.5 <-19.7>	260 <573>	550 <*1212>	350 <771>	770 <*1697>	480 <*1058>	1040 <*2292>	-	-
-1.0 <-39.4>	310 <683>	520 <*1146>	350 <771>	630 <*1388>	460 <*1014>	850 <*1873>	-	-

Blade above ground

Unit : kg <lbs.>

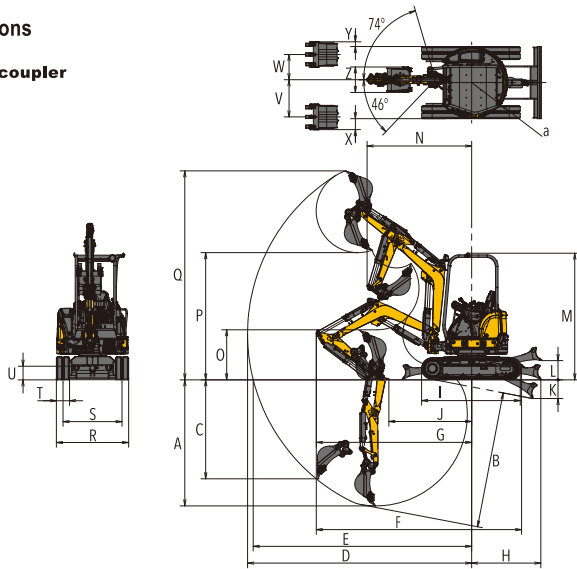
A [m<in.>]	Max.		2.5 <98.425>		2.0 <78.74>		Min.	
B [m<in.>]								
2.0 <78.7>	260 <573>	310 <683>	-	-	-	-	-	-
1.5 <59.1>	240 <529>	280 <617>	390 <859>	450 <992>	-	-	-	-
1.0 <39.4>	230 <507>	270 <595>	380 <837>	450 <992>	510 <1124>	610 <1344>	540 <1190>	640 <1410>
0.5 <19.7>	230 <507>	270 <595>	360 <793>	430 <947>	490 <1080>	590 <1300>	520 <1146>	640 <1410>
0 <0.0>	240 <529>	280 <617>	350 <771>	420 <925>	480 <1058>	580 <1278>	670 <1477>	860 <1895>
-0.5 <-19.7>	260 <573>	310 <683>	350 <771>	420 <925>	470 <1036>	580 <1278>	-	-
-1.0 <-39.4>	300 <661>	360 <793>	340 <749>	410 <903>	460 <1014>	570 <1256>	-	-

Note:

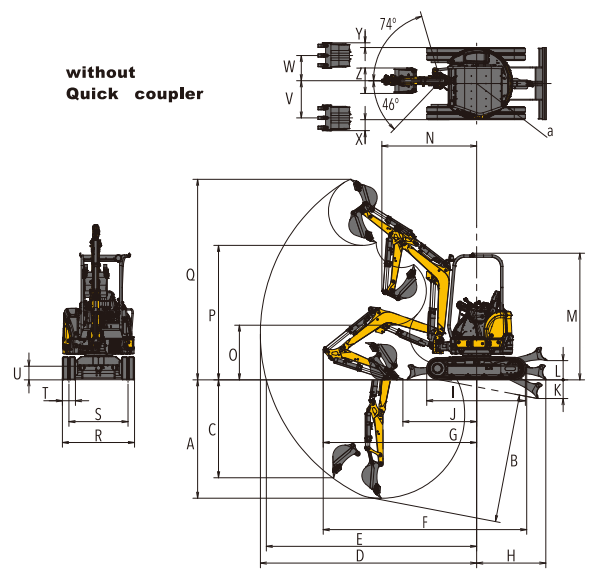
The lifting load with the asterisk <*> mark is limited by hydraulic lifting capacity rather than tipping. The lifting capacity shown in the above list is based on the ISO Standard No. 10567 and represents either 87% of hydraulic lifting capacity or 75% of tipping load, which is smaller.

● Dimensions

Quick coupler



without Quick coupler



Unit : mm (ft-in)


		A	B	C	D	E	F	G	H	I	J	K	L	M	N(Swing)	O	P	Q	R	S	T	U	V	W	X	Y	Z	a
Canopy spec	Quick coupler	2410 (7'11")	2610 (8'7")	1890 (6'2")	4290 (14'1")	4180 (13'9")	3930 (12'11")	2970 (9'9")	1320 (4'4")	1890 (6'2")	1580 (5'2")	360 (1'2")	365 (1'2")	2400 (7'10")	1830(1540) (6'0"(5'11"))	1120 (3'8")	2640 (8'8")	4230 (13'11")	1380 (4'6")	1130 (3'8")	250 (0'10")	260 (0'10")	710 (2'4")	480 (1'7")	210 (0'8")	90 (0'4")	490 (1'7")	690 (2'3")
	without Quick coupler	2270 (7'5")	2460 (8'1")	1870 (6'2")	4140 (13'7")	4020 (13'2")	3890 (12'9")	2930 (9'7")																				

Specification

Model		ViO20-6	
Type		Quick coupler	without Quick coupler
Operating weight	Rubber track	kg<lbs>	2135 <4707>
	Steel track	kg<lbs>	2195 <4839>
Engine	Type	Vertical 3 cylinder, water-cooled diesel	
	Model	YANMAR 3TNV76-PBV1	
	Rated Output	kW<hp>/rpm	14.6 <19.6> / 2400 [Gross]
Performance	Bucket capacity, standard	cu.m<cu.ft>	0.06 <2.12>
	Bucket width, standard(ISO heaped)	mm<in.>	490 <19.3>
	Max Digging Force, Bucket/Arm	kN<lbf>	16.3 <3664> / 12.7 <2855>
	Traveling Speed, High/Low	km/h<MPH>	4.2/2.2 <2.6/1.4>
	Swing Speed	rpm	10
	Boom Swing Angle, (L/R)	degrees	46/74
Ground contact pressure	Rubber track	kPa<PSI>	25.9 <3.76>
	Steel track	kPa<PSI>	26.8 <3.89>
Hydraulic system	Pump capacity	L/min<GPM>	21.6 <5.7> ×2 [Variable displacement pump] 10.8 <2.9> ×1, 20.4 <5.4> ×1 [Gear pump]
	Main relief set pressure	MPa<PSI>	20.6 <2987> ×2, 16.7 <2421> ×1, 2.9 <420> ×1
Blade dimensions	Width X height	mm<ft-in>	1380×285 <4'6"×11">
	Stroke, Raise/Lower from G.L.	mm<ft-in>	365/360 <1'2"/1'2">
Fuel tank capacity	L <Gals>	27.5 <7.26>	

*Machine spec may differ depending on the region.

Hydraulic P.T.O.

Model		ViO20-6	
Specification		Output	L/min <GPM>
		MPa <PSI>	2400RPM
			1200RPM
Combined flow, double actions		20.6 <2987>	42 <11.1>
			21 <5.5>

YANMAR CONSTRUCTION EQUIPMENT CO., LTD.

Promotion Group
Sales Planning Dept.
Marketing & Sales Dept.
1717-1, Oaza Kumano, Chikugo, Fukuoka 833-0055, Japan
TEL. +81-942-70-8992
FAX +81-942-53-6855
yanmar.com

All data subject to change without notice.